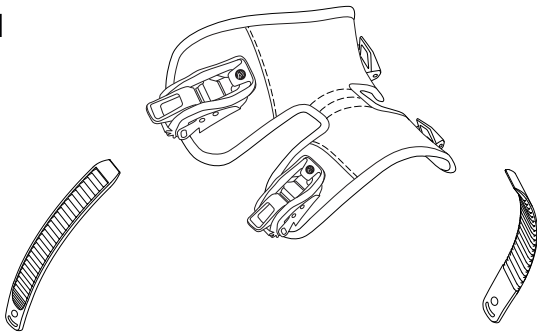




POWERSTRAP CONVERSION

FUSION

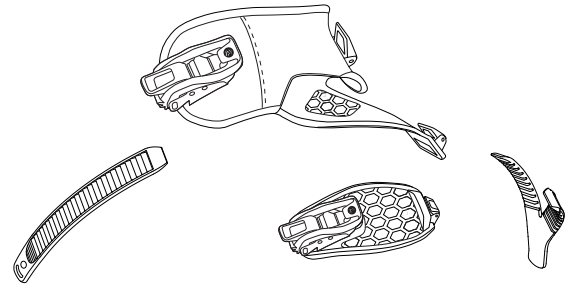


Use straight LSR front ladder

Use straight QuickSet front ladder

Note: Ankle ladderstraps do not need to be replaced

HYBRID

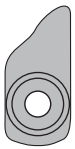


Use straight LSR front ladder

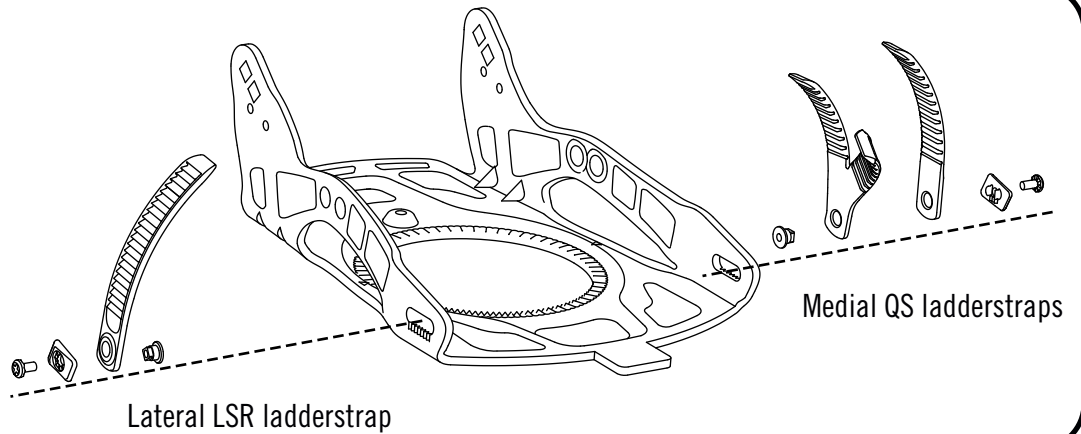
Use Y-shaped QuickSet front ladder

Note: Ankle ladderstraps do not need to be replaced

NX2-series



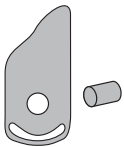
Use ladderstraps with this bottom shape, and use original hardware



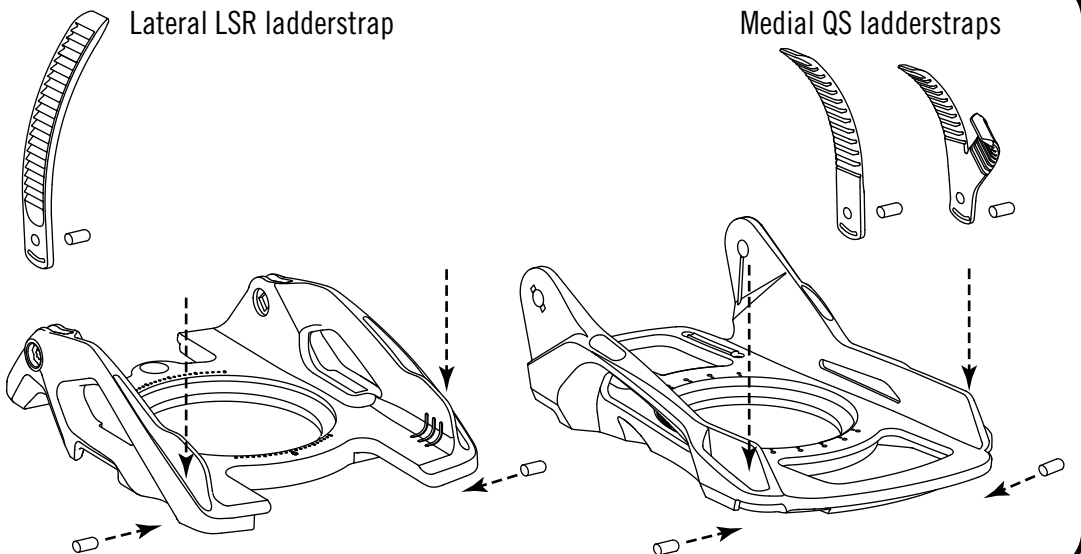
Lateral LSR ladderstrap

Medial QS ladderstraps

FUSE, AXIS & H-series



Use ladderstraps with this bottom shape and attachment pins. Insert ladderstraps from top into the slots, add stopper pins into ladders from bottom.



Lateral LSR ladderstrap

Medial QS ladderstraps



IMPORTANT NOTE: Be sure the ladderstraps and buckles are securely connected before going riding. Failure to assemble the parts correctly may cause serious injuries. Flow recommends that any and all service and repairs to your bindings be done by a trained, professional mechanic. For our full liability policy, how-to tricks and tips and more, please visit WWW.FLOW-SNOWBOARDING.COM

